

GridScan/Pro

Technical data

FEATURES

- ▶ TÜV – EC Type examination certified
- ▶ SIL 2 certified
- ▶ Direct integration into the door edge due to door blanking
- ▶ Combined output with PNP/NPN (push-pull) and FSS
- ▶ Changeable operation between blanking and static mode
- ▶ Easiest alignment
- ▶ 2nd output for additional information
- ▶ Ideal for modernization projects due to FSS control unit
- ▶ Door closing speed up to 1.6 m/s
- ▶ Fulfills SIL 2 without testing if FSS output selected

OPTICAL

Operating range	1 ... 10 m
Number of elements	12 ... 52 (depending on edge length and resolution)
Max. protection height	Up to 2,500 mm
Max. ambient light	100,000 Lux

MECHANICAL

Cross section	12 mm × 14.5 mm
Housing material	Natural anodized aluminum
Enclosure rating	IP68 (Cable: IP67)
Temperature range	-40°C ... +60°C

ELECTRICAL

Supply voltage U_{sp}	10 ... 30 VDC
Max. current consumption at 24 VDC	50 mA
Output	PNP/NPN (push-pull) and FSS
Output load	100 mA, 100 nF
Typ. response time with 22 elements	40 ms
Max. response time with 22 elements	80 ms
Max. door closing speed	1.6 m/s
Max. door opening speed	> 3 m/s
Status LED Rx:	Object detected red No object detected green
Power LED Tx:	Power ok green

GENERAL

EMC emission	EN 61000-6-3:2007, EN 12015:2014
EMC immunity	EN 61000-6-2:2019, EN 12016:2013
Vibration	IEC 60068-2-6:2007
Shock	IEC 60068-2-27:2008
RoHS	2011/65/EU
Certificates	CE, TÜV
Safety category	EN ISO 13849-1:2015, Cat. 2, PL d EN 61508:2010, SIL 2 EN 12978:2003, +A1:2009 EN 12453:2017 E device
Applicable standards	UL 325:2012

CEDES AG reserves the right to modify or change technical data without prior notice.



CONNECTION CABLE AND ELECTRICAL CONNECTION

Synchronization cable

Length	10 m
Connection	Screwable M8, 4 pin
Diameter	Ø 3.5 mm
Material	PVC, black
Plug color	Black
Wires	AWG26
• brown	U _{sp}
• blue	GND (0 V)
• black	Communication
• white	Not used

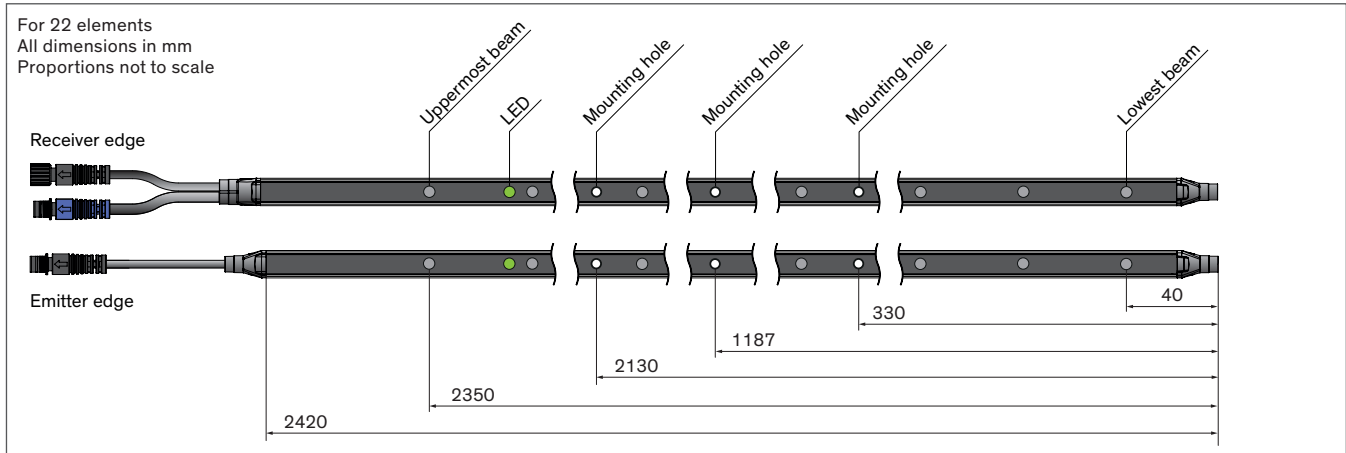
Connection cable

Cable length	5 m
Connection	Screwable M8, 6 pin
Diameter	Ø 4.2 mm
Material	PVC, black
Plug color	Blue
Wires	AWG26
• brown	U _{sp}
• blue	GND (0 V)
• black	Output 1 (PNP/NPN and FSS)
• white	Test input
• gray	Selectable output logic
• green	Not used or Output 2 (PNP/NPN)

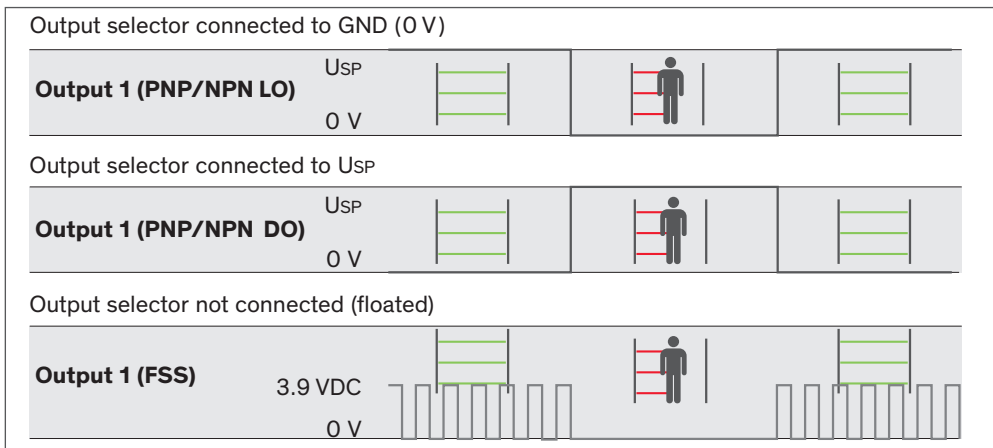


CEDES AG is certified according to ISO 9001: 2015.

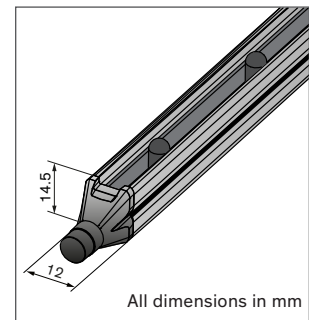
Dimensions



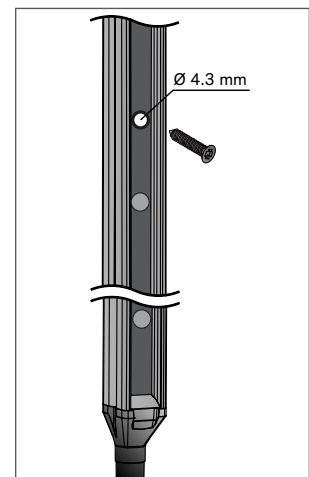
Selectable output logic



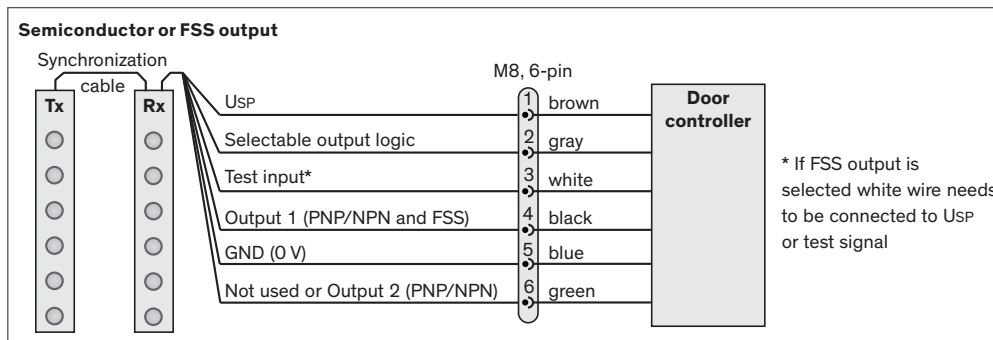
Detailed view



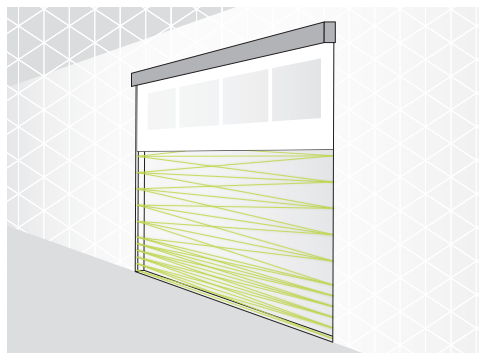
Front mounting



Connection diagram



Applications



High-speed and sectional doors
(with door blanking)



Sectional doors
(static mounting, without door blanking)