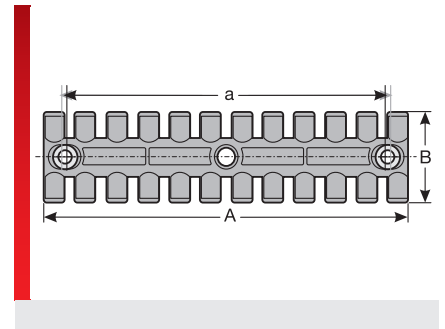
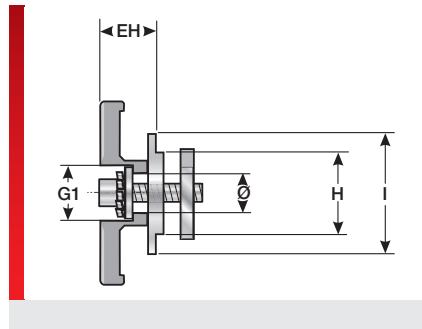


Strain relief Type ZL-AM



Strain relief

PRODUCT INFORMATION

The ZL-AM strain relief plates are based on the ZL strain relief plate. The embedded brass discs hinder the cold flow deformation properties of the plastic under heavy and permanent vibration, thereby preventing the screwed connection from loosening by itself. Slot nuts and bolts enable simple assembly on C-rails.

- Very quick assembly
- Orderly cable routing
- Simple and effective strain relief with cable ties
- Micro-encapsulated PreCOTE thread coating serves as an added locking element
- Approved for railway technology (EN 45545-2)

SPECIFICATIONS

	Polyamide 6.6
	-40 – 125 °C
	V0
	HF
	ISO 4882-2
	RoHS
	CE
	Made in Germany

Typ	Bestell-Nr.	Farbe	No. Cables	VPE St.
For 16 mm C-rail slot				
Interior width 22–27 mm				
Brass disc				
Stainless steel screw 1.4301 with UNC thread				
Stainless steel slot nut 1.4301				
ZL-AM 39	87702210	Black	3	1
ZL-AM 60	87702212	Black	4	1
ZL-AM 87	87702214	Black	6	1
ZL-AM 103	87702216	Black	7	1
ZL-AM 121	87702218	Black	8	1
ZL-AM 140	87702220	Black	9	1
ZL-AM 180	87702222	Black	12	1

DIMENSION TABLE

Typ	Bestell-Nr.	A mm	a mm	B mm	EH mm	G1 mm	H mm	I mm	Ø mm
For 16 mm C-rail slot									
Interior width 22–27 mm									
Brass disc									
Stainless steel screw 1.4301 with UNC thread									
Stainless steel slot nut 1.4301									
ZL-AM 39	87702210	38.50	19.50	40.00	12.00	12.00	16.00	26.00	5.00
ZL-AM 60	87702212	59.50	43.50	40.00	12.00	12.00	16.00	26.00	5.00
ZL-AM 87	87702214	86.50	68.00	40.00	12.00	12.00	16.00	26.00	5.00
ZL-AM 103	87702216	102.50	84.00	40.00	12.00	12.00	16.00	26.00	5.00
ZL-AM 121	87702218	121.00	102.50	40.00	12.00	12.00	16.00	26.00	5.00
ZL-AM 140	87702220	139.50	121.00	40.00	12.00	12.00	16.00	26.00	5.00
ZL-AM 180	87702222	180.00	157.00	42.00	13.50	12.00	16.00	26.00	5.00

Strain relief Type ZL-AM

MATERIAL PROPERTIES



FIRE PROPERTIES



TECHNICAL INFORMATION



CONFORMITY



APPROVALS AND OPERATING PERMITS



All details given in our sales brochures and catalogues, as well as the information available online, are based on our current knowledge of the products described.

The electronic data and files made available by Murrplastik, particularly CAD files are based on our current knowledge of the product described.

A legally binding assurance of certain properties or the suitability for a certain purpose can not be determined from this information.

All information with respect to the chemical and physical properties of Murrplastik products, as well as application advice given verbally, in writing or by tests, is given to the best of our knowledge.

They do not release the buyer from the obligation to carry out his own tests and trials in order to determine the concrete suitability of the products for the intended purpose.

Murrplastik accepts no responsibility for the available information being up-to-date, correct or complete. Neither do we accept responsibility for the quality of this information.

Murrplastik accepts no liability for damage caused as a result of using our products.

Murrplastik reserves the right to make technical changes and improvements through constant further development of products and services.

Our General Terms and Conditions apply.

© Murrplastik Systemtechnik GmbH • prodID_58143~20200220~890287~kdh_zl_am