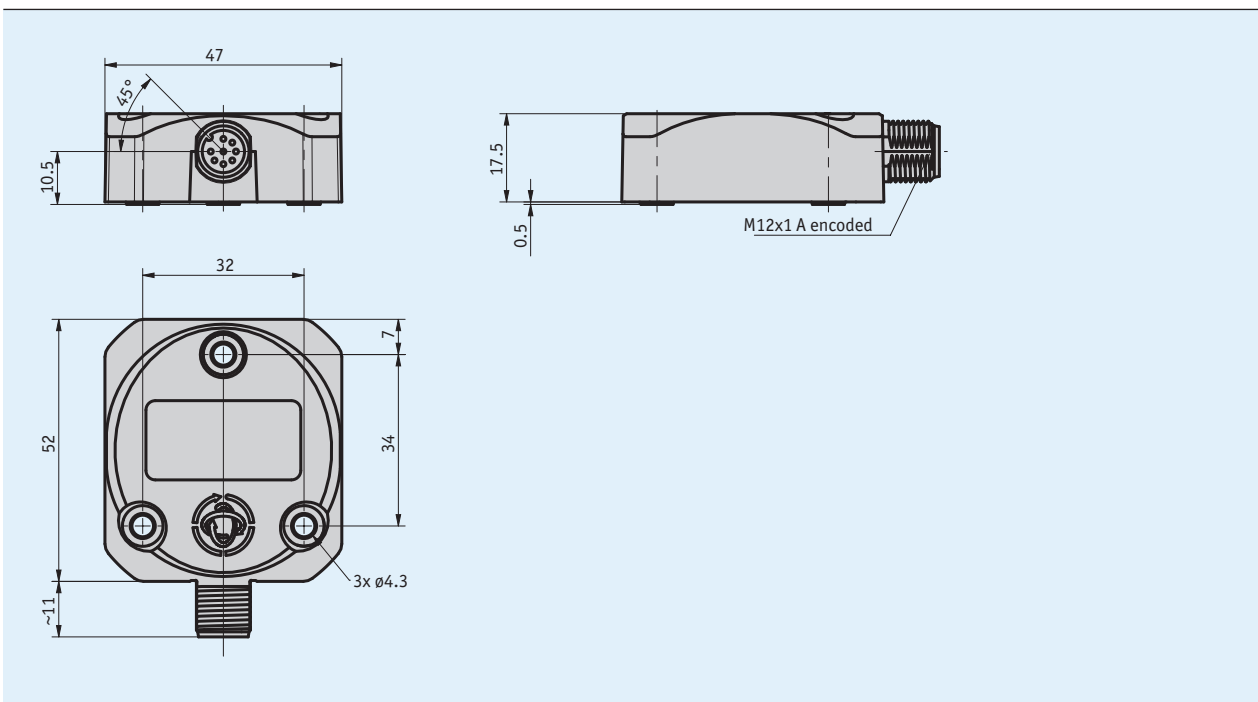


Profile

- Single-axis or dual-axis variant
- 0 ... 10 V or 4 ... 20 mA interface
- CANopen interface
- IP66 and IP67 protection classes
- Easy three-point mounting



Mechanical data

| Feature | Technical data | Additional information |
|---------------|----------------------|------------------------|
| Housing | PBT fiber-reinforced | |
| Mounting type | 3-point mounting | |
| Weight | ~0.1 kg | |

Electrical data

| Feature | Technical data | Additional information |
|--------------------|---|---|
| Operating voltage | 10 ... 30 V DC | reverse-polarity protected |
| Power input | ≤ 0.7 W | |
| Temperature drift | 0.004 °/K | |
| Interface | 0 ... 10 V, 0° = 0 V, load ≤ 1 mA 4 ... 20 mA, 0° = 5 V, load ≤ 1 mA | Load $\geq 5k\Omega$ Load $\leq 270 \Omega$ at 10 V DC |
| Type of connection | 1x M12 connector (A-coded) | 8-pole, 1x pin, E12E connection type |

■ CANopen interface

| Feature | Technical data | Additional information |
|--------------------|---|--------------------------------------|
| Operating voltage | 10 ... 30 V DC | reverse-polarity protected |
| Power input | ≤ 0.7 W | |
| Temperature drift | 0.004 °/K | |
| Interface | according to ISO 11898-1/2, not electrically isolated | CANopen |
| Address | 1 ... 127 | |
| Baud rate | 20 kbit/s 50 kbit/s 100 kbit/s 125 kbit/s 250 kbit/s 500 kbit/s 800 kbit/s 1000 kbit/s | |
| Parameter | according to CiA 410 | CANopen |
| Type of connection | 1x M12 connector (A-coded) | 5-pole, 1x pin, E12E connection type |

System data

| Feature | Technical data | Additional information |
|-----------------|--|---|
| Scanning | MEMS | |
| Resolution | 0.01° | |
| System accuracy | $\pm 0.1^\circ$ | for 2-axis versions in working range $\pm 60^\circ$ |
| Measuring range | 0 ... 360° $\pm 80^\circ$ $\pm 90^\circ$ | 1 axis 2 axes, current and voltage output 2 axes, CANopen |

Ambient conditions

| Feature | Technical data | Additional information |
|----------------------|---|---|
| Ambient temperature | -40 ... 85 °C | |
| EMC | EN 61000-6-2 EN 61000-6-4 | interference resistance / immission emitted interference / emission |
| Protection category | IP66 IP67 | EN 60529, fitted with suitable mating connector ISO 20653, fitted with suitable mating connector |
| Shock resistance | ≤ 100 g, 6 ms | EN 60068-2-27, half sine |
| Vibration resistance | 1.5 mm, 10 ... 58 Hz ≤ 20 g, 58 ... 2000 Hz | EN 60068-2-6 EN 60068-2-6 |

Pin assignment

■ Analog

| Signal 1-Axis | Signal 2-Axes | PIN |
|----------------------|-------------------|-----|
| +UB | +UB | 1 |
| nc | nc | 2 |
| nc | nc | 3 |
| GND | GND | 4 |
| Z-Achse Output U / I | X-axis output U/I | 5 |
| SET1 | SET1 | 6 |
| nc | Y-axis output U/I | 7 |
| nc | nc | 8 |

■ CANopen

| Signal | PIN |
|---------|-----|
| CAN_GND | 1 |
| +UB | 2 |
| GND | 3 |
| CAN_H | 4 |
| CAN_L | 5 |

Order

Ordering table

| Feature | Ordering data | Specification | Additional information |
|----------------|---------------|--------------------------------|------------------------|
| Number of axes | 1 | 0 ... 360° | |
| | 2 | X -80 ... +80°, Y -80 ... +80° | |
| Interface | 0/10V | 0 ... 10 V voltage output | |
| | 4/20mA | 4 ... 20 mA power output | |
| | CAN | CANopen | |

Order key

IK360 - -

Scope of delivery: IK360

Accessories you can find:

Cable extension KV05S0

www.siko-global.com

Cable extension KV08S3

www.siko-global.com

Mating Connector Overview

www.siko-global.com

Mating connector, 5-pole, socket

Order key 84109

Mating connector, 5-pole, angle socket

Order key 83006

Mating connector, 8-pole, socket

Order key 83525