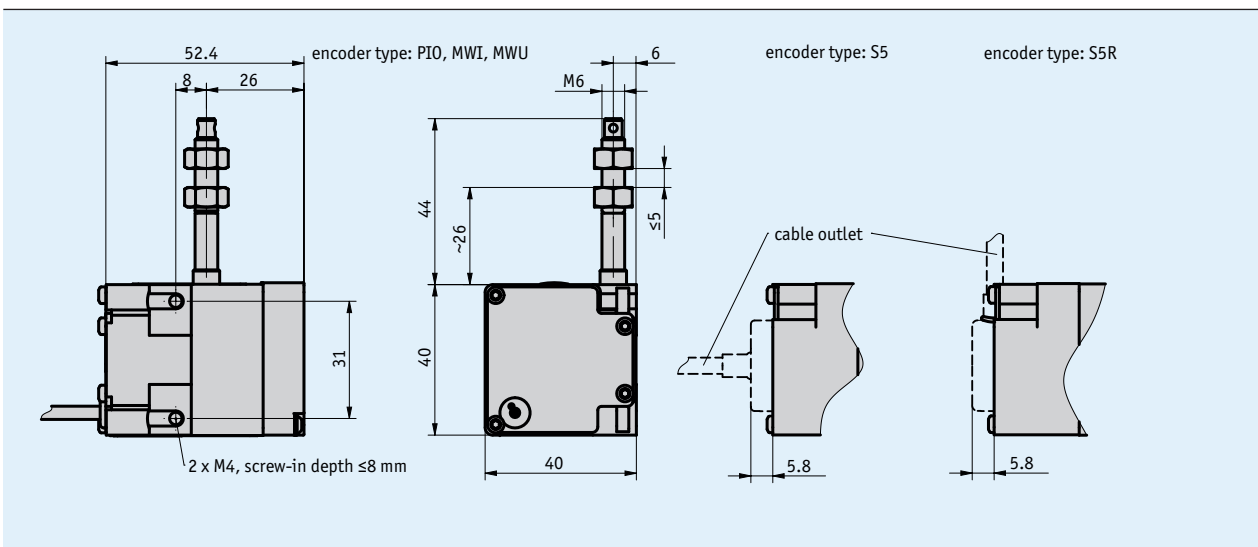
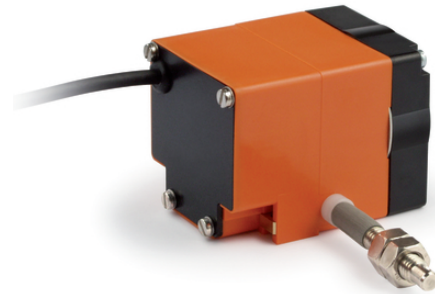


## Profile

- Compact design
- Universally applicable thanks to standardized interfaces
- Easy mounting
- Measurement lengths up to max. 2000 mm
- Potentiometer, voltage, power output or incremental encoder
- Housing made of reinforced plastic



## Mechanical data

Feature	Technical data	Additional information
Housing	reinforced plastic	
Wire design	∅0.45 mm ∅0.45 mm	rustproof stainless steel, plastic-coated rustproof stainless steel
Extension force	≥2 N	
Measured distance/ rope drum revolution	100 mm	
Cable length	≤30 m ≤20 m	P10 + MWI encoder type MWU encoder type
Weight	~0.2 kg	

## Electrical data

### ■ Encoder potentiometer

Feature	Technical data	Additional information
Power rating	1.5 W at 70 °C	
Resistance	10 kΩ	
Resistance tolerance	±5 %	
Linearity tolerance	±0.25 % ±0.1 %	encoder type MWI/0,1

### ■ Transducer, power output

Feature	Technical data	Additional information
Operating voltage	24 V DC $\pm 20\%$	at $\leq 500\ \Omega$ load
Output current	4 ... 20 mA	

### ■ Transducer, voltage output

Feature	Technical data	Additional information
Operating voltage	15 ... 28 V DC	at 3 mA, no load
Output voltage	0 ... 10 V DC	
Load	$\leq 15$ mA	

\* Measurement transducers permit optimum adjustment of the output current and output voltage to the measuring range. The measurement transducer is pre-set at the works so that an output signal of 4 ... 20 mA (MWI) or 0 ... 10 V DC (MWU) is available.

## System data

Feature	Technical data	Additional information
Repeat accuracy	$\pm 0.15$ mm	
Travel speed	$\leq 800$ mm/s	

## Ambient conditions

Feature	Technical data	Additional information
Ambient temperature	-10 ... 80 °C	without transducer
	0 ... 50 °C	with transducer
Protection category	IP50 (encoder part potentiometer)	EN 60529
	IP54 (incremental)	EN 60529

## Pin assignment

### ■ Potentiometric outputs P10

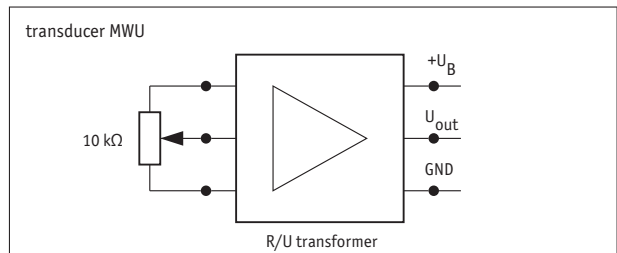
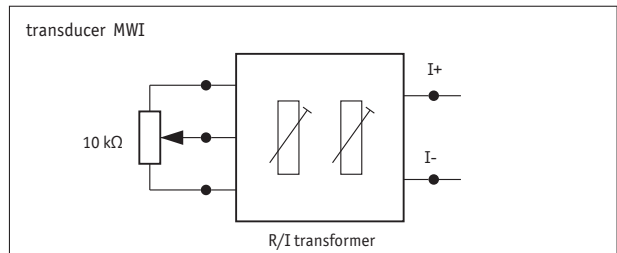
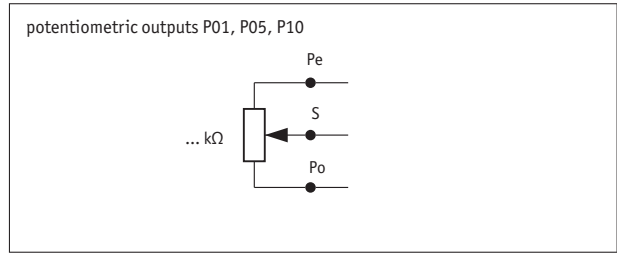
Signal	E1 (terminal)
Po	brown
Pe	white
S	green

### ■ MWI transducer

Signal	Cable color
I+	brown
I-	white

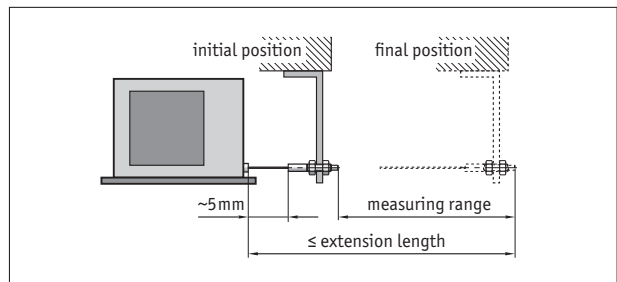
### ■ MWU transducer

Signal	Cable color
+24 V DC	brown
GND	white
U <sub>out</sub>	green



## Hint for mounting

When securing the wire it must be ensured that the wire is straight and vertical in relation to the wire outlet.  
 Recommendation: Only select the starting position after an unwound length of approx. 5 mm. This prevents the wire hitting the end stop when it is rewound.



symbolic depiction

## Order

### Ordering information

For measuring range 2000 I, the rotary encoder IV2800 mounted directly from the factory must be ordered separately.

### Ordering table

Feature	Ordering data	Specification	Additional information
Measuring range	...	300, 500, 1000 in mm	encoder types Ω, I, U (potentiometer and transducer) only with encoder type S5, S5R
	2000I		
Wire design	S	stainless steel wire	
	SK		
Encoder type	P10	potentiometer with 10kΩ	
	MWI		
	MWU	transducer 0 ... 10 V	
	S5	rotary encoder IV2800, axial cable outlet	
	S5R	rotary encoder IV2800, radial cable outlet	
		others on request	
Cable length	0.5	0.5 m	with encoder type P10 or MWI/MWU
	...		1 ... 20 m, in steps of 1 m
	IG	specified via mounted encoder	at measuring range 2000 I

### Order key

SG10 -  -  -  -   
A B C D

Scope of delivery: SG10

Accessories:  
 Electronic display MA50  
 Guide roller UR

[www.siko-global.com](http://www.siko-global.com)  
[www.siko-global.com](http://www.siko-global.com)